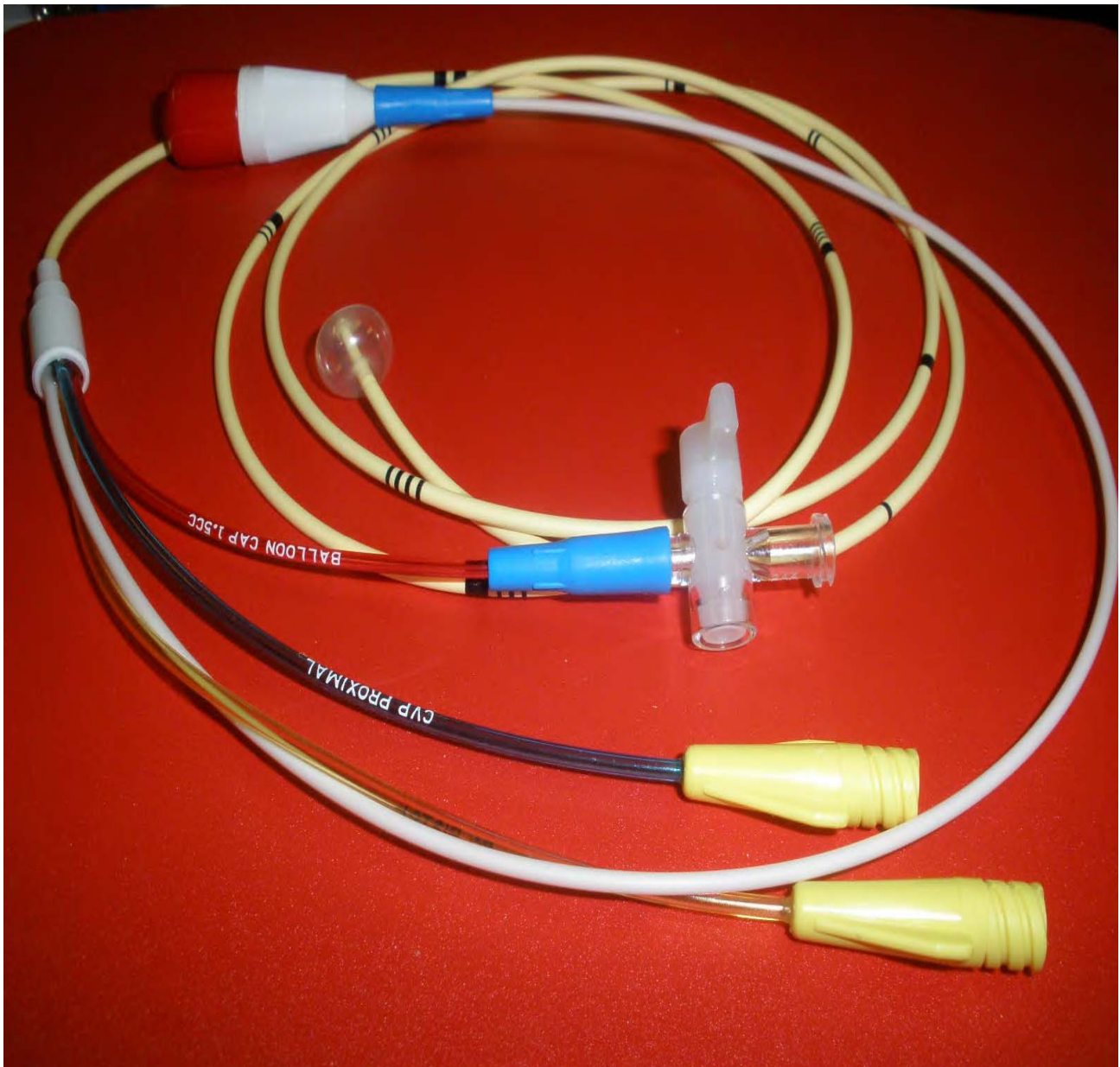
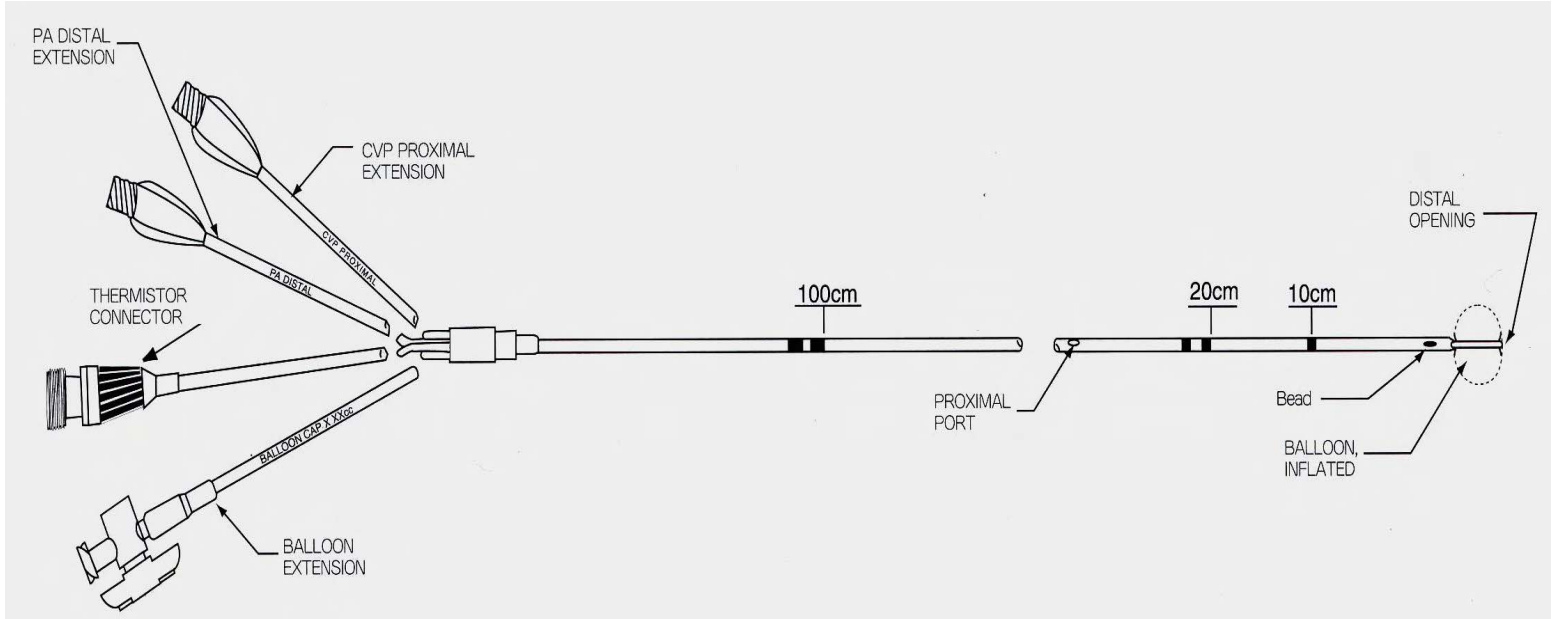


THERMODILUTION CATHETER



THERMODILUTION CATHETER

Series 400



Product Code	French Size	Introducer Size Recom'd	N.O. of Lumens	Useable Length	Catheter Body Material	Maximum Inflation Capacity	Inflated Balloon Diameter	Guide Wire Size
464-80P	6 Fr	6 or 7 Fr	4	80 cm	PUR	1.25 cc	10 mm	0.018 in
464-110P	6 Fr	6 or 7 Fr	4	110 cm	PUR	1.25 cc	10 mm	0.018 in
474-80P	7 Fr.	7 or 8 Fr.	4	80 cm	PUR	1.50 cc	12 mm	0.025 in.
474-110P	7 Fr.	7 or 8 Fr.	4	110 cm	PUR	1.50 cc	12 mm	0.025 in.

Description:

Thermodilution Catheter is made of extruded radiopaque polymeric tubing with four lumens in the catheter body. One lumen is to inflate or deflate the latex balloon which is located at the distal end. The proximal port is located 29 centimeters from the catheter tip. Thermistor port is located 3.5 centimeters from the distal tip. The distal lumen exits at the tip of the catheter, and is used for pressure monitoring.

Packaging:

Each catheter is packaged in a sterile peel-pack tray

Catheters Length Marking:

Each catheter has clear, easy to identify increment markings every 10 cm along catheter body